

CCD Barcode Scanner

Quick Start Guide



- Contents:
- Barcode Scanner
 - Cradle
 - Instructions
 - warranty card
 - Certificate
 - USB / RS232 Cable
 - Power Adapter (Rs232 only)

No. : 75050115

Light

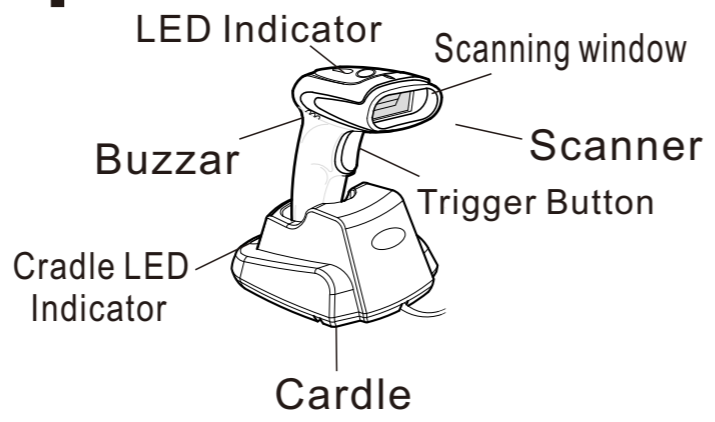
LED Status	Description
Scanner	
Green light turn red	power on
Green light blinks, red light on	Pairing match
Green light blinks once	Upload successfully
Green light blinks four times	Upload failed
Red light on	Working normally
Red light blinking	Low battery
Blue light on	Charging normal
Yellow light on	Charging complete
Green light blinking	Pairing unsuccessful

Cradle	Description
Red light on to blinking	Power-on
Red light on	USB identify failed
Green blinks once	Successful pairing / uploaded successfully
Red light blinking	Working normally

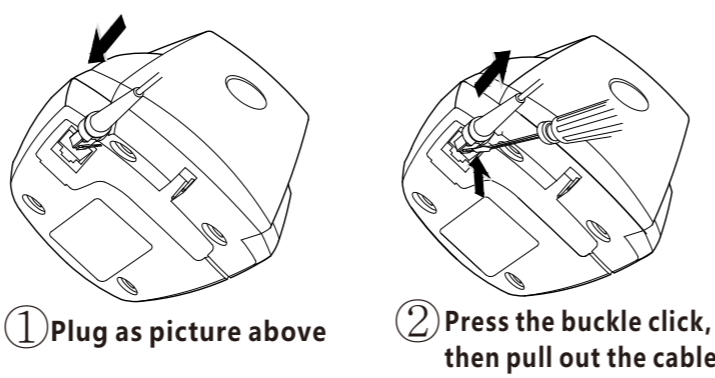
Buzzer

Scanner beeper mode	Description
Four Beeps	power On
Long two beeps	Pairing failed
Short two beeps	Pairing successfully
Short one beep	Scan and transmit successfully
Short three beeps	Data upload failed
Short low two beeps	Low battery
long beeps in 0.4s	Power off
Long short beep	Enter Setting Mode

1 Scanner overview

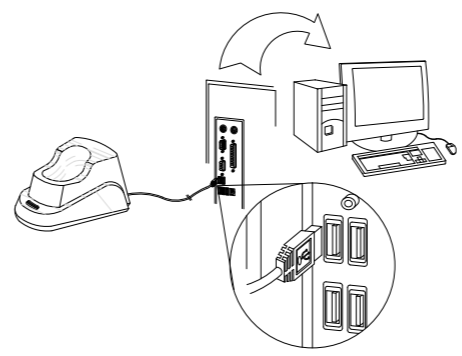


2 Cable plug&Unplug

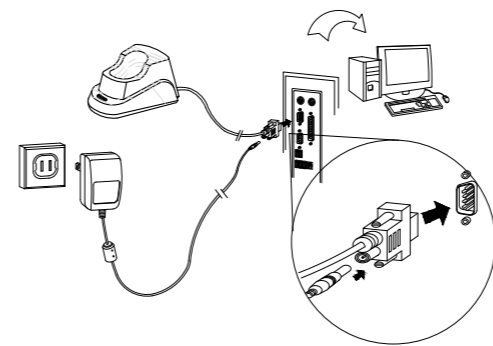


3 Cable connection guide

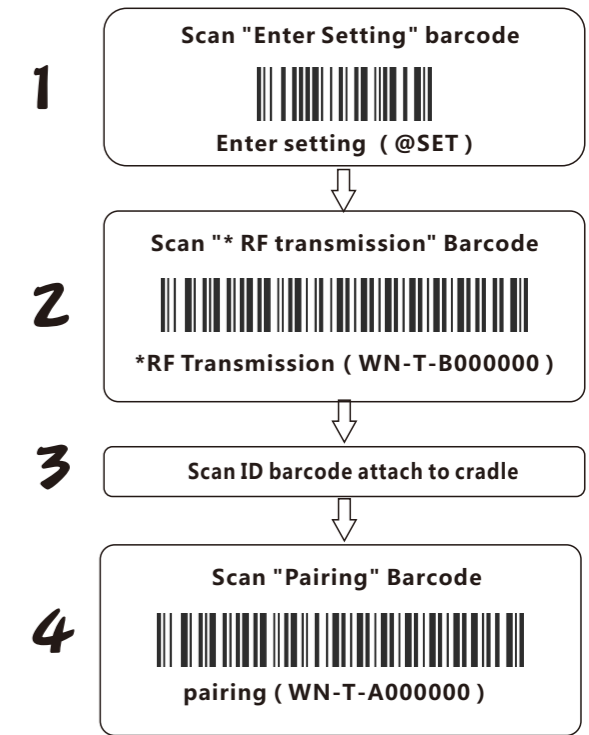
(1) USB Data cable



(2) RS232 Data cable



4 Scanner and cradle pairing guide



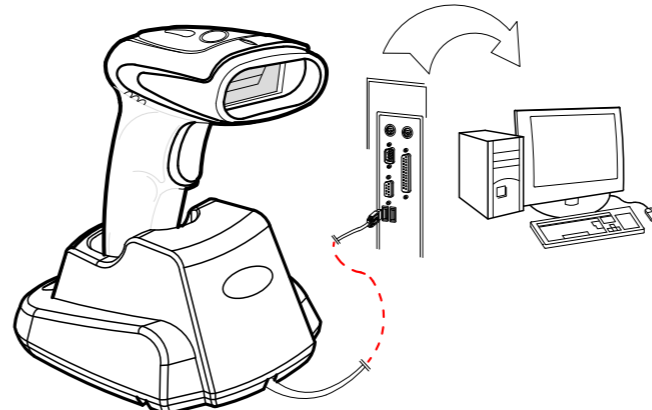
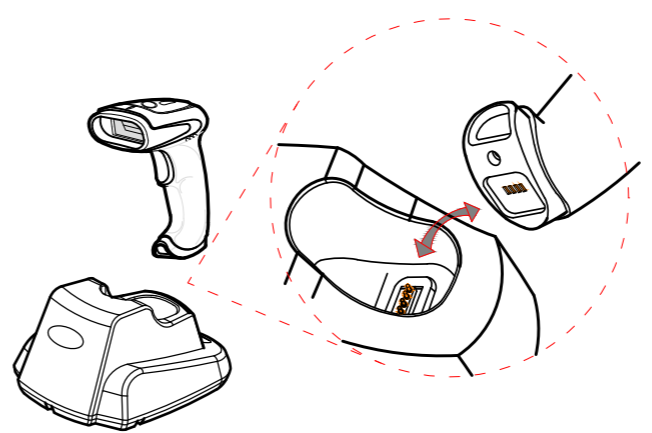
Buzzer

Cradle beeper mode	Description
Four Beeps	power On
Short two beeps	Pairing successfully
Short one beep	Scan and transmit successfully

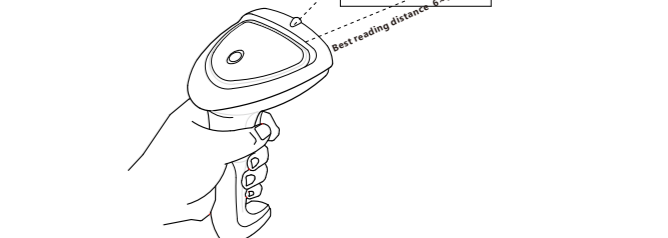
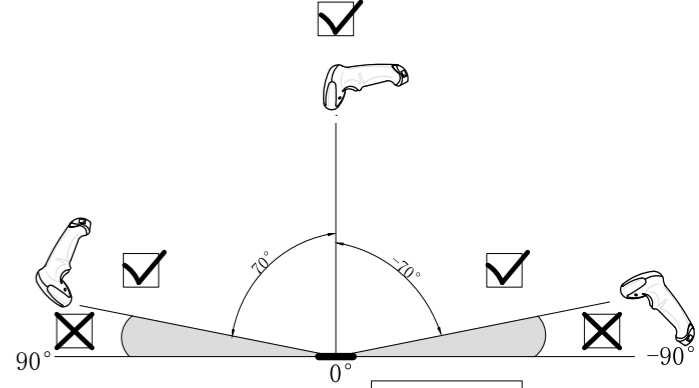
Troubleshooting Q&A:

- Q1.:Cradle upload data via RS232,no data display when scan bar code.
 A1: Should confirm interface is RS232(Refer to Interface Setting Mode).Should confirm scanner baud rate is same as Rs232 software.
- Q2:Upload data via USB, no data upload and alarm buzzer after scanning bar code.
 A2: Set scanner upload data interface as USB. Set scanner working mode as real time mode.
- Q3:Cradle LED not on when upload data via RS232.
 A3: Refer to "Cable connection guide"to check power supply.

5 Charging method



6 Scan angle, distance and methods



correct



wrong



NOTE: Laser beam need full covered on the Bar code

Wireless Transmission Settings

Setting Step

1

Scan "Enter Setting" Barcode



Enter Setting (@SET)

2

scan function Bar code
(Support multiple scanning setting barcodes).
For example, set the "Show ID" function



Show ID (WN-T-D100000)

3

Scan "Exit & Save" Barcode



Exit & Save (@END)

Transmitter(Scanner)

① Working mode

Following working mode can be set directly.
Default setting is real time mode.



*Real-time mode (WN-T-F000000)



Cache mode (WN-T-F100000)



Inventory mode (WN-T-F200000)

Note:

Real time mode: Scan and transmit, data will automatically be lost if upload fails.

Cache mode: Same as real time mode if connection is normal. Scan bar codes will be automatically restored if connection fails. Will upload one by one if connection returns to normal.

Inventory Mode: Scanning bar codes will be restored without upload.

Will upload once scan "Upload data" barcode.

Will clear once scan "Clear data" .

Will check sum once scan " Data sum"

② Inventory mode setting

Upload data: Bar code data will transmit to terminal once scan this bar code.

Data sum: Scan "Data sum" bar code to check the scanner restore data sum.

Clear data: Scan "Clear data" and clear all the restore data in scanner



Upload data (WN-T-F200001)



Data sum (WN-T-F200002)



Clear Data (WN-T-F200003)

③ ID Hide / Show

Scanner ID will show in front of bar code once scanning "ID show" barcode.

Default setting is "ID hide"



*ID hide (WN-T-D000000)



ID show (WN-T-D100000)

④ ID setting

When multiple scanners send data to the same terminal, you need to set ID number for each scanner.

Scanner ID setting steps:

① Scan "Enter setting" Bar code

② Scan "ID setting" bar code

③ Scan two numerical parameters as scanner ID

④ Scan "Enter & Save" bar code



Setting ID (WN-T-D200000)

⑤ Numerical parameters

The following bar code used to set the ID, select the desired number corresponding to the bar code scanning.



0 (00)



1 (01)



2 (02)



3 (03)



4 (04)



5 (05)



6 (06)



7 (07)



8 (08)



9 (09)

Receiver(Cradle)

① Set interface mode

Receiver(Cradle) can upload data via USB keyboard or RS232.
Default is USB keyboard



*USB Keyboard (WN-R-B000000)



RS232 (WN-R-B300000)

② RS232 baud rate setting

Scanner baud rate setting should be same as receiver software.
Default is 9600.



19200 (WN-R-B300003)



115200 (WN-R-B300005)